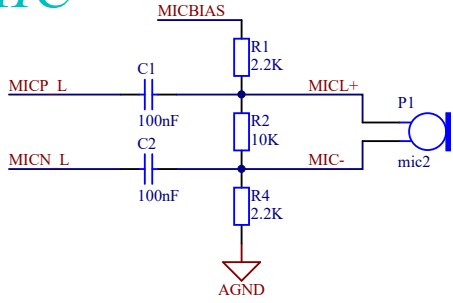
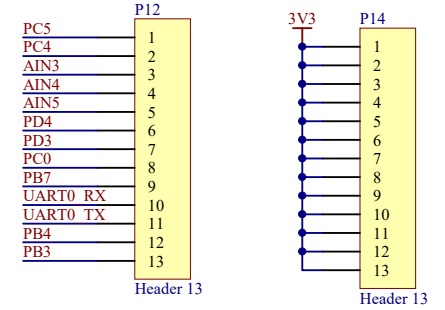
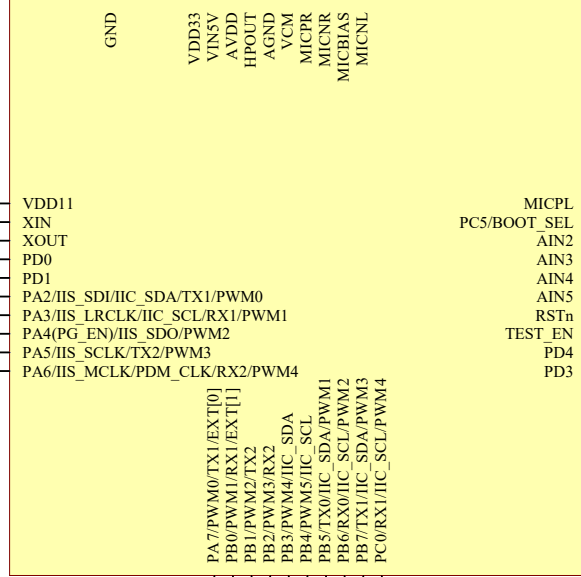
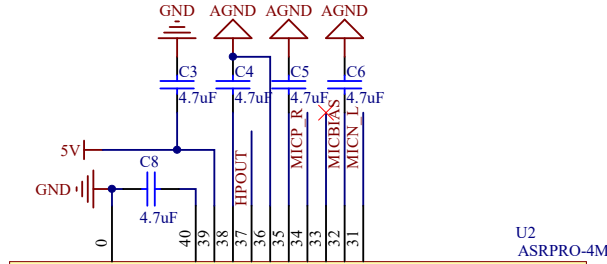
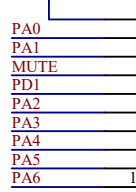
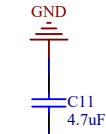
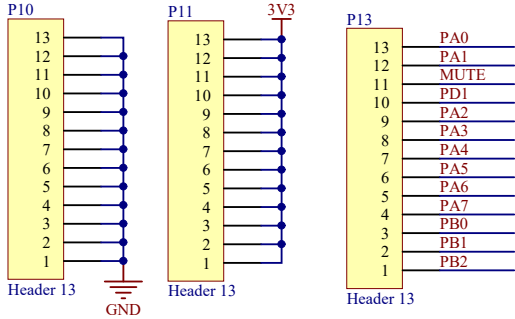
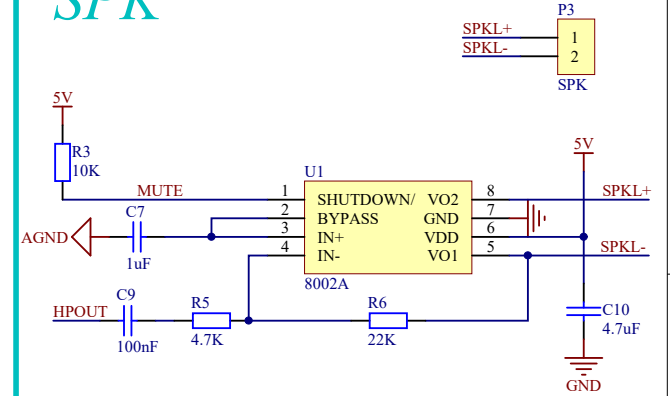


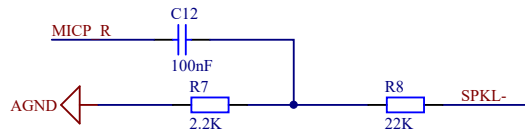
# MIC



# SPK

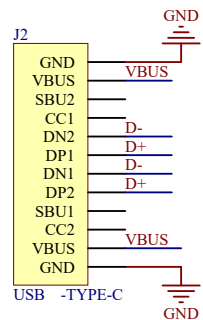


# AEC

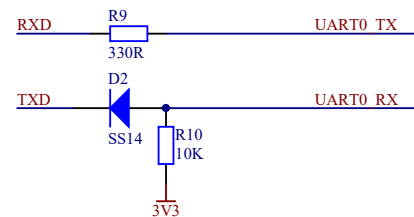
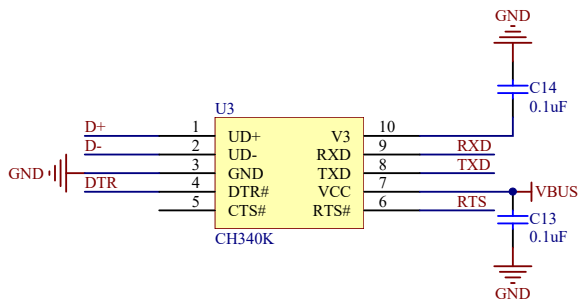


ASRPRO-Plus开发板-1

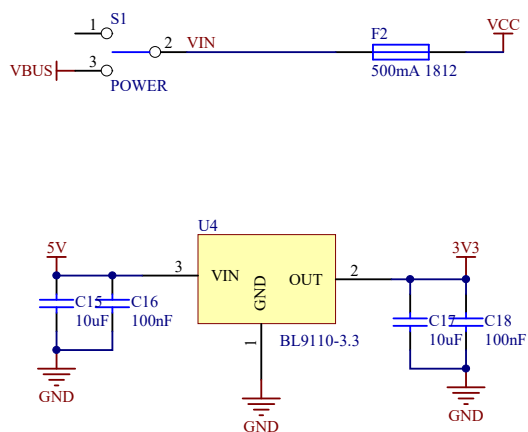
# TYPE-C



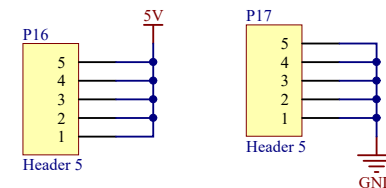
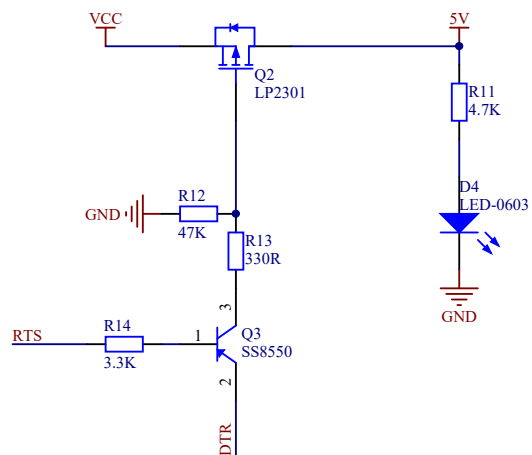
# CH340



# LDO

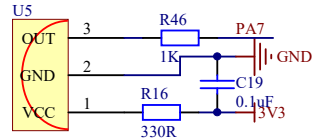


# POWER

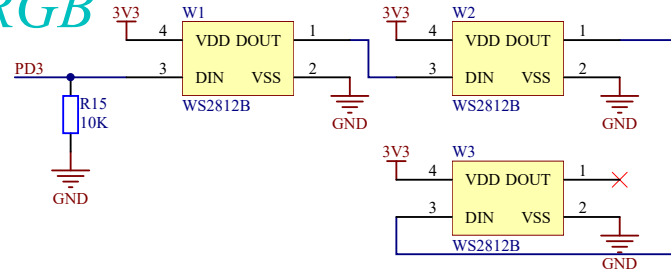


ASRPRO-Plus开发板-2

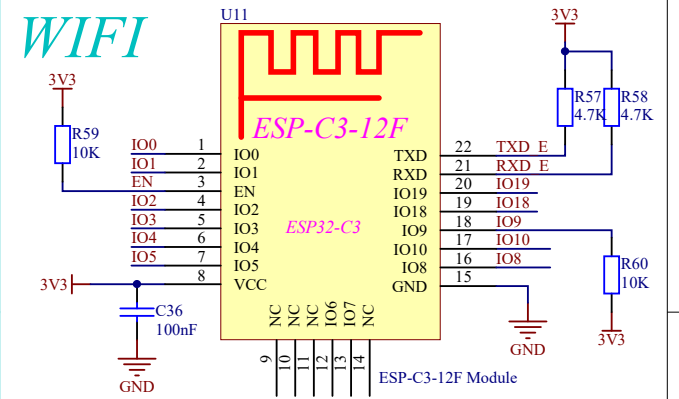
# IR-R



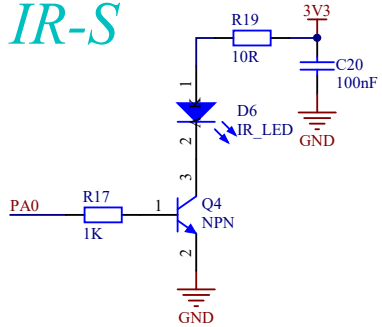
# RGB



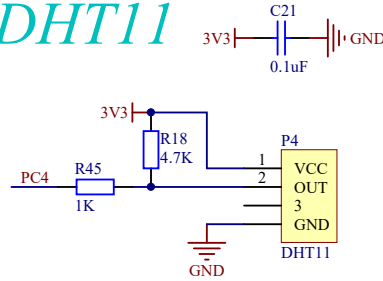
# WIFI



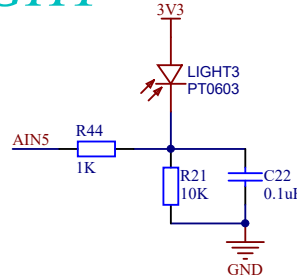
# IR-S



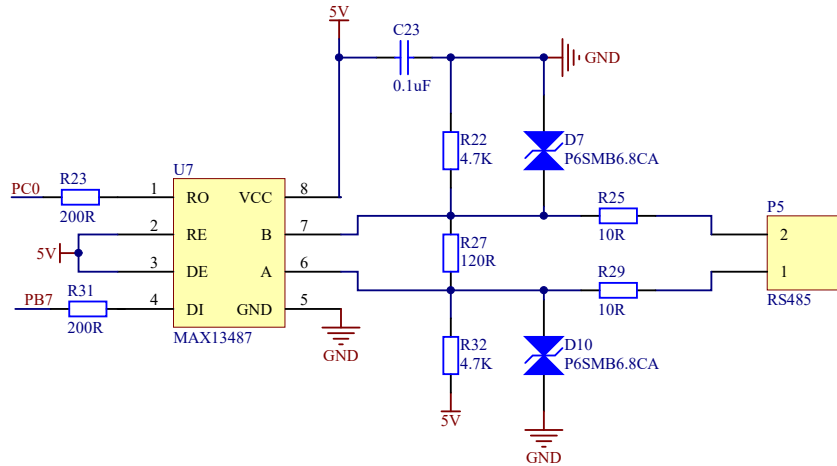
# DHT11



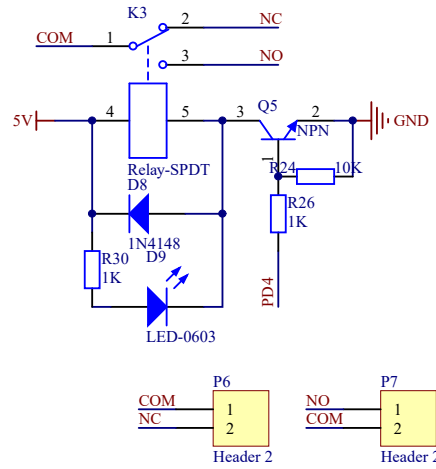
# LIGHT



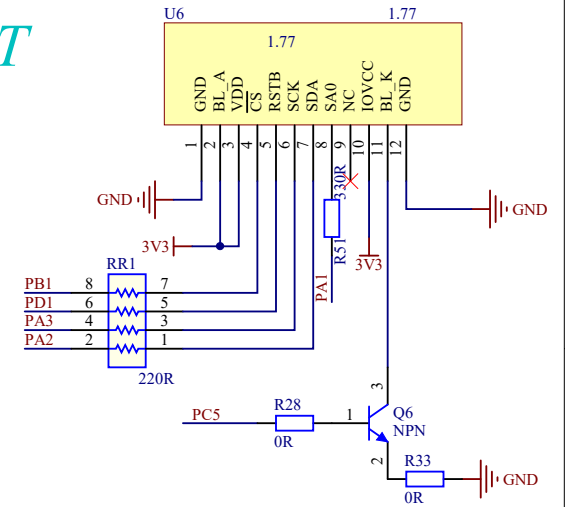
# RS485



# RELAY

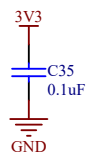
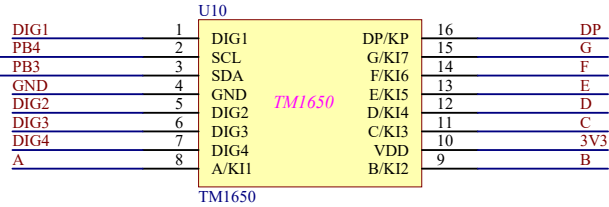
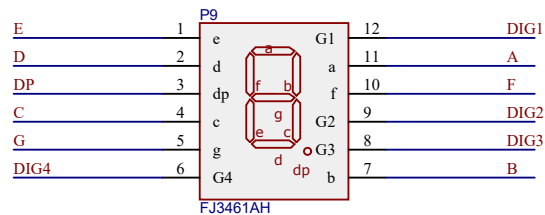
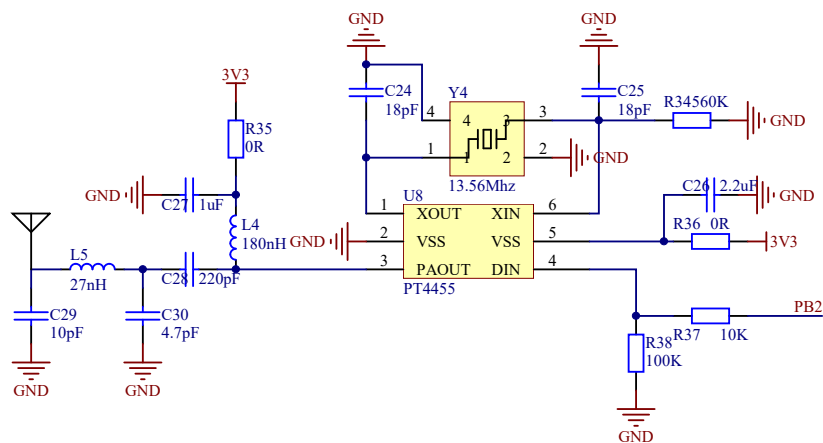


# TFT

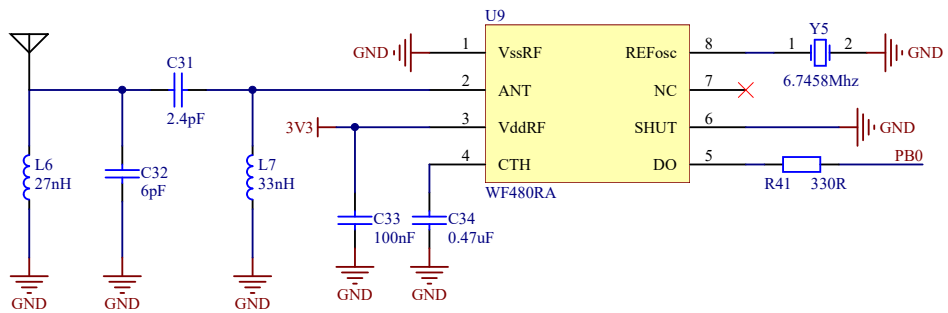


ASRPRO-Plus开发板-3

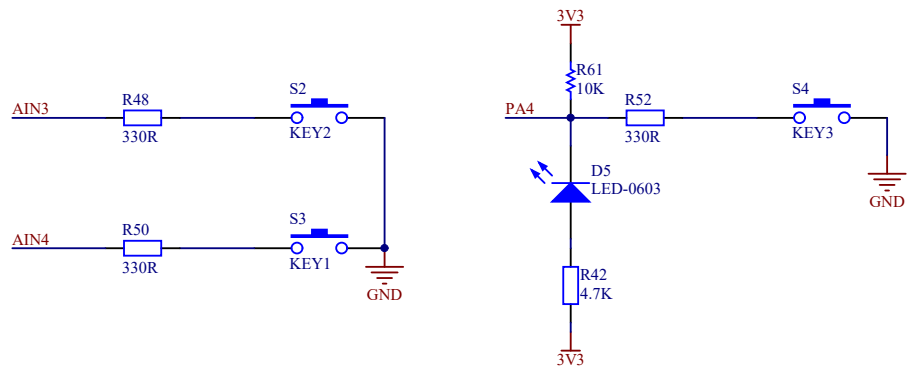
# 433-S



# 433-R



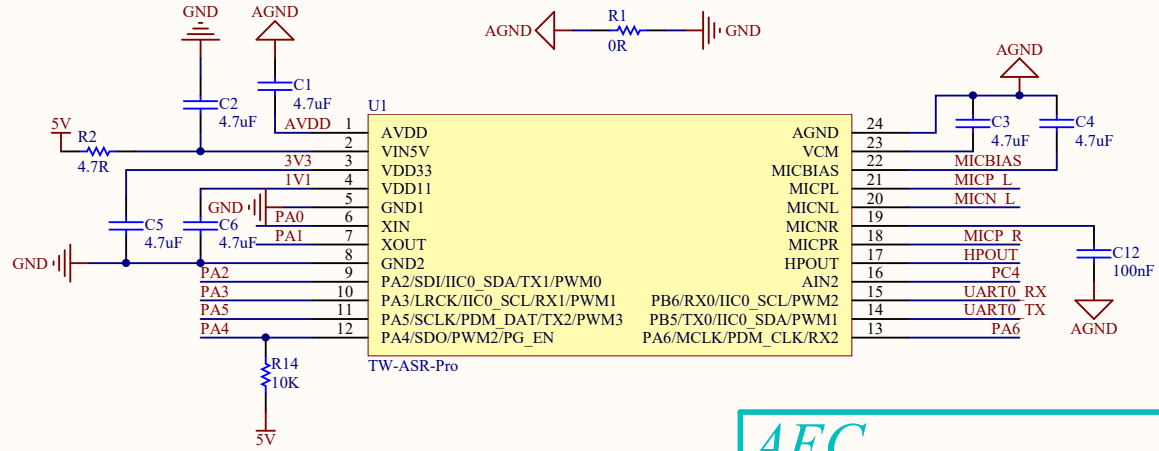
# KEY



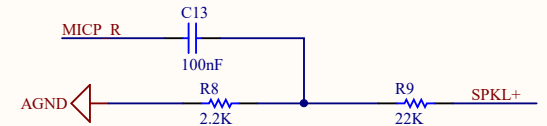
# ASRPRO-Plus开发板-4



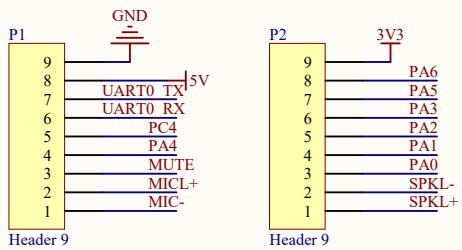
# MCU



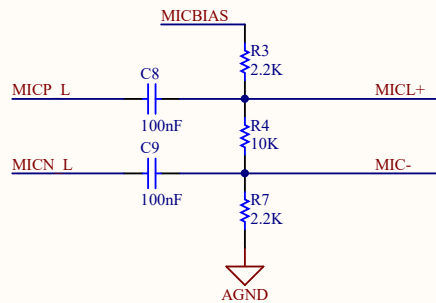
# AEC



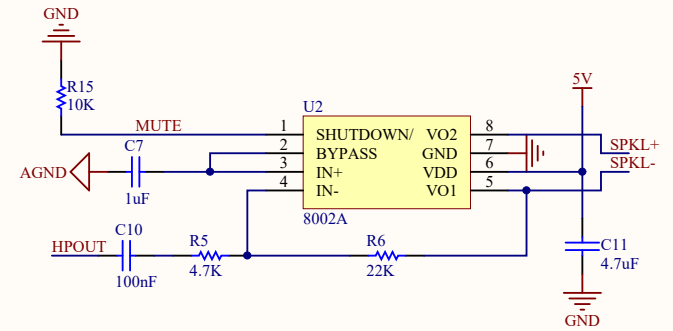
# IO



# MIC

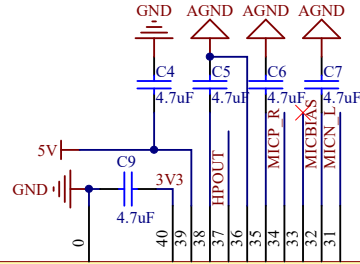
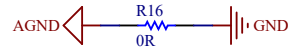
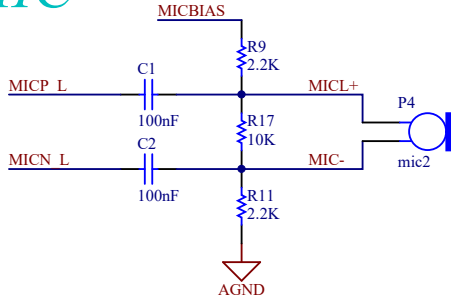


# SPK

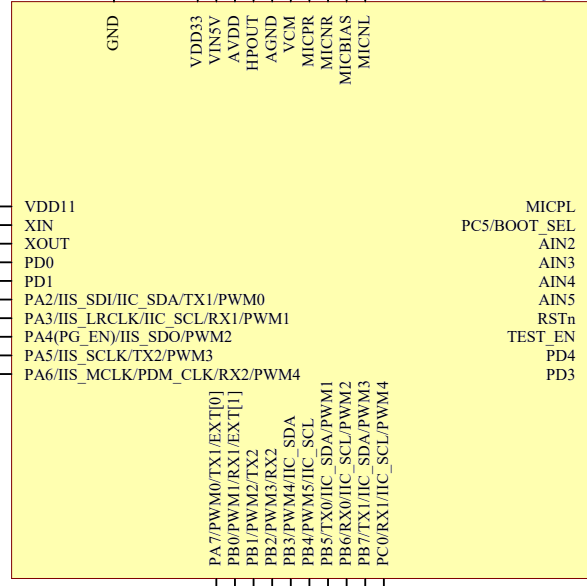
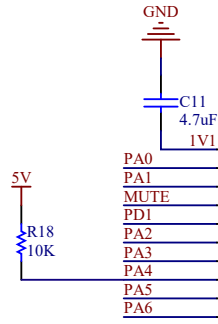
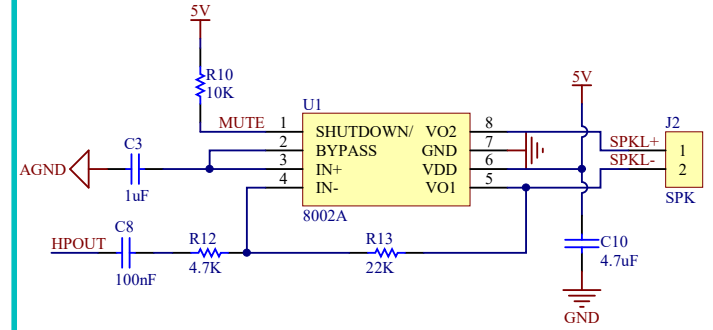


Title		
ASRPRO核心板		
Size	Number	Revision
A4		
Date:	2024/11/28	Sheet of
File:	E:\...\TW-ASR-Pro-Core V1.0	Sheet No.:

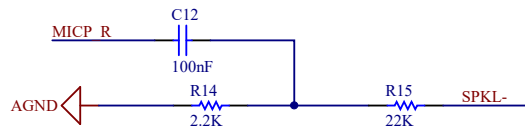
# MIC



# SPK

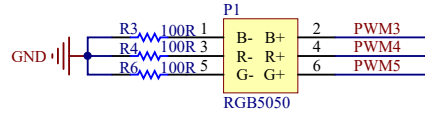


# AEC

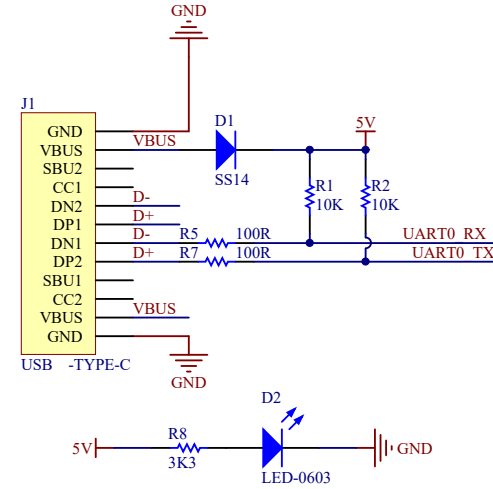


Title		
<b>ASRPRO-MAX</b>		
Size	Number	Revision
A4		
Date:	2024/5/30	Sheet of
File:	EA \..ASRPRO-PLUS	Drawn By:

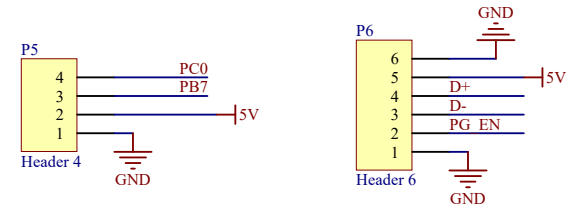
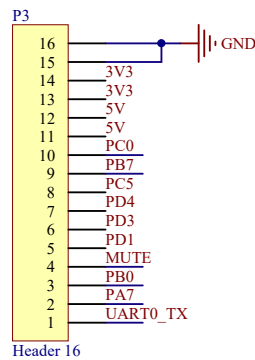
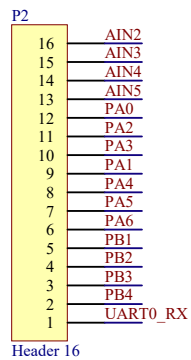
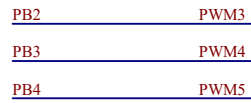
# RGB



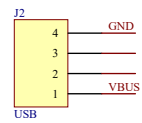
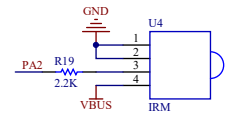
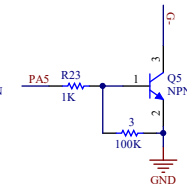
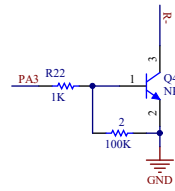
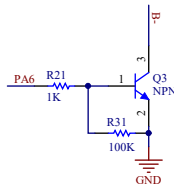
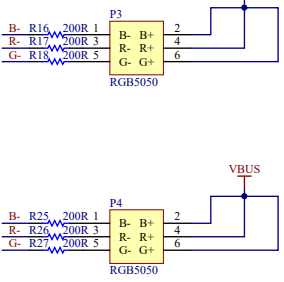
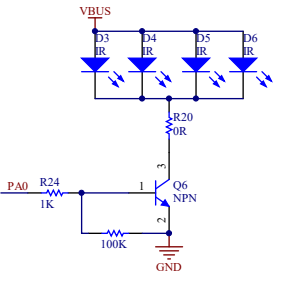
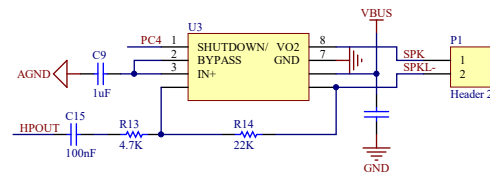
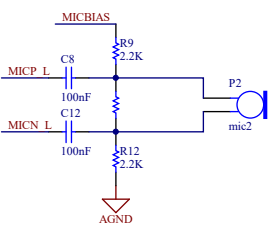
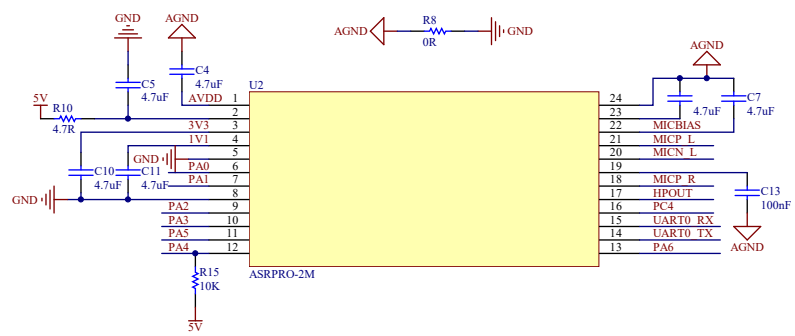
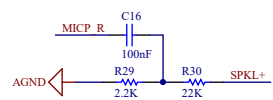
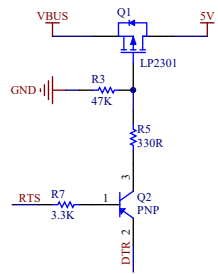
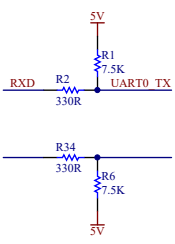
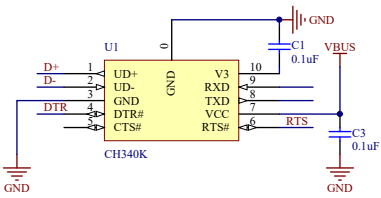
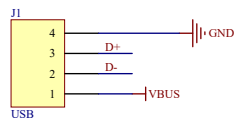
# USB



# IO

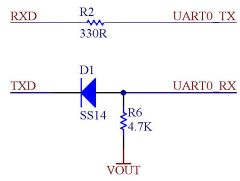


Title		
<b>ASRPRO-MAX</b>		
Size	Number	Revision
A4		
Date:	2024/5/30	Sheet of
File:	E:\...\ASRPRO-PLUS	-1.Dwg

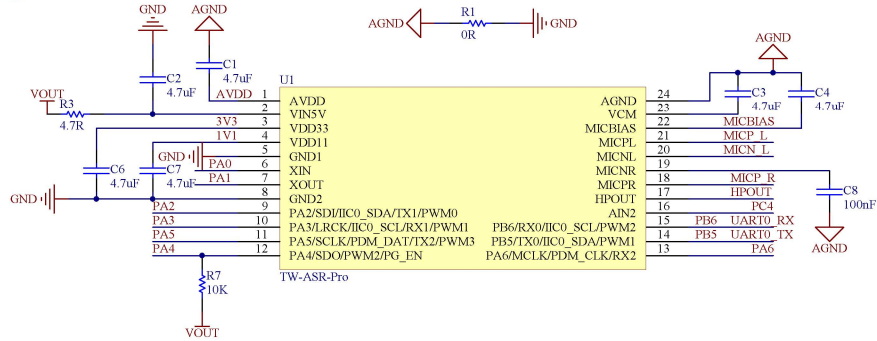


Title			
<b>红外伴侣</b>			
Size	Number	Revision	
A3			
Date:	2023/11/6	Sheet	of
File:	D:\ \ 2.0.SchDoc	Drawn By:	

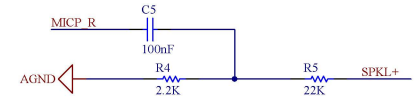
# 串口匹配



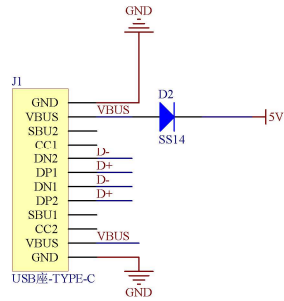
# MCU



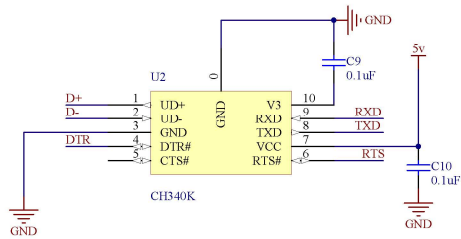
# AEC



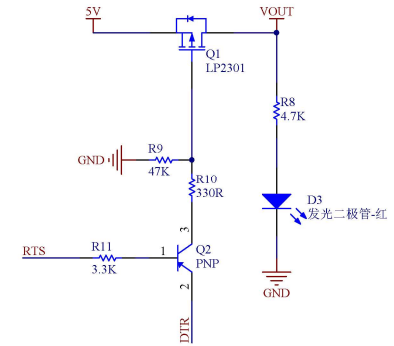
# USB



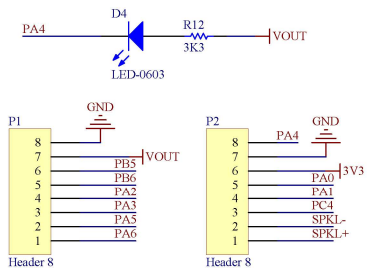
# CH340K



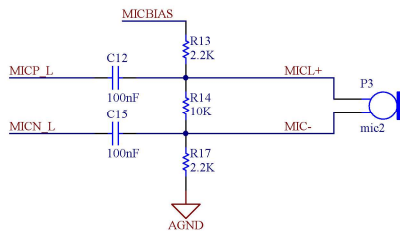
# 通断控制



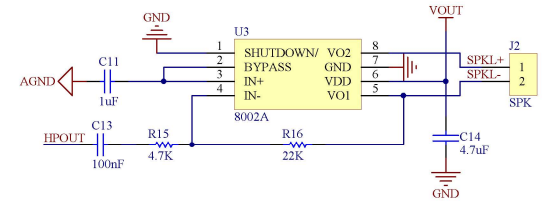
# IO



# MIC

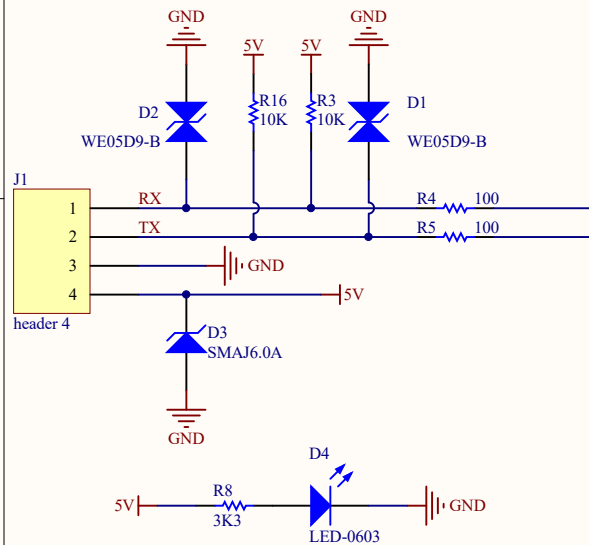


# SPK

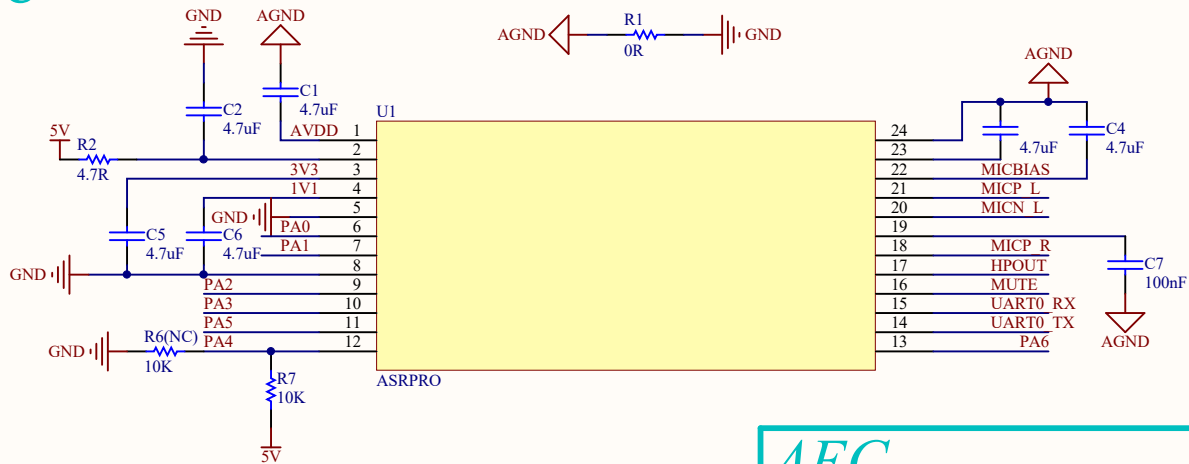


Title		
鹿小班		
Size	Number	Revision
A3		
Date:	2024/9/5	Sheet of
File:	E:\工作文件夹\Lu-ASR-PRO-V1.0.Sch1	

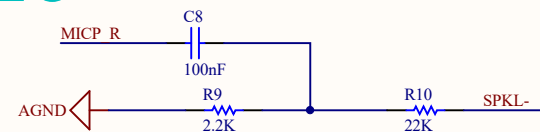
# UART0



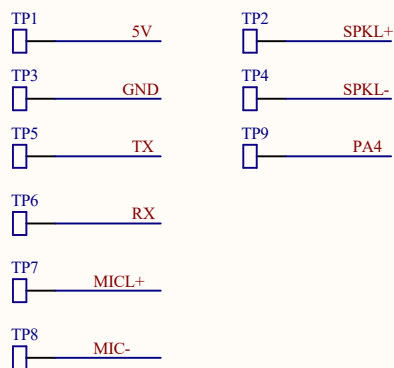
# MCU



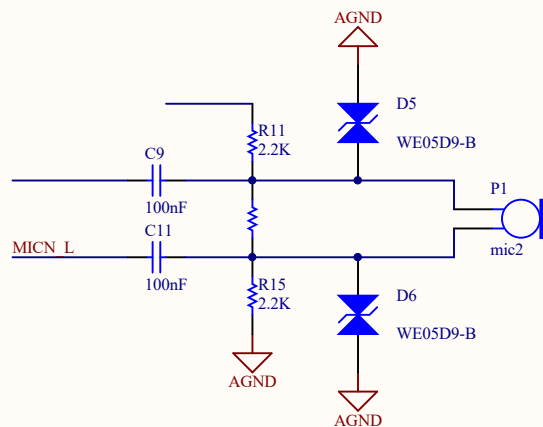
# AEC



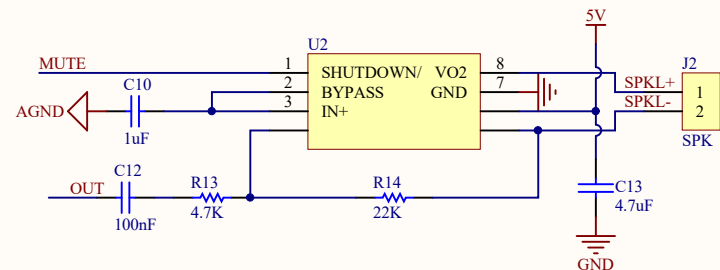
# IO



# MIC



# SPK



Title		
<b>ASRPRO串口模块</b>		
Size	Number	Revision
A4		
Date:	2023/11/6	Sheet of
File:	D:\1-haoda\ASRPRO	V1.0.Sch Drawn By: